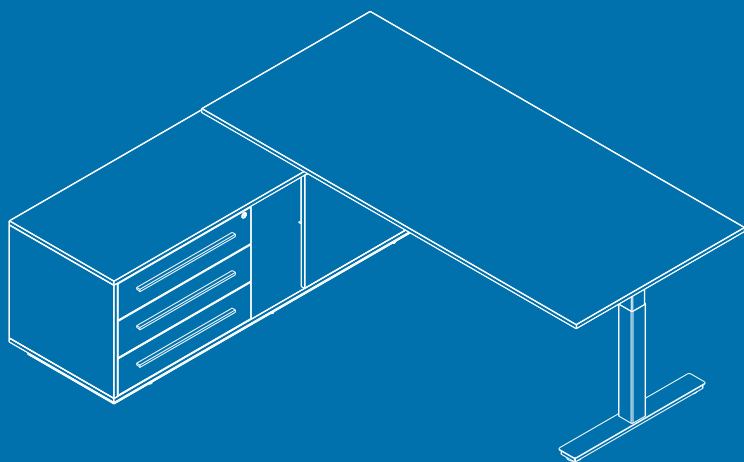
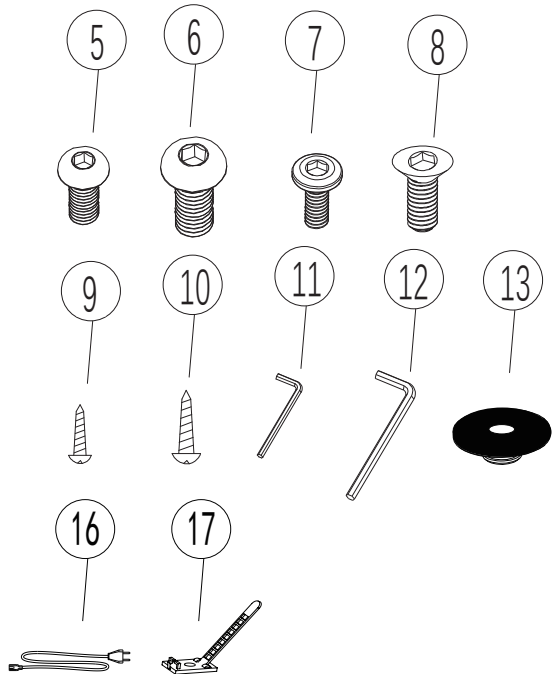


Assembly instructions
Notice de montage
Montage instructies
Montageanleitung
Istruzioni di montaggio
Instrucciones de montaje
Инструкция по сборке
Instrukcje montażu

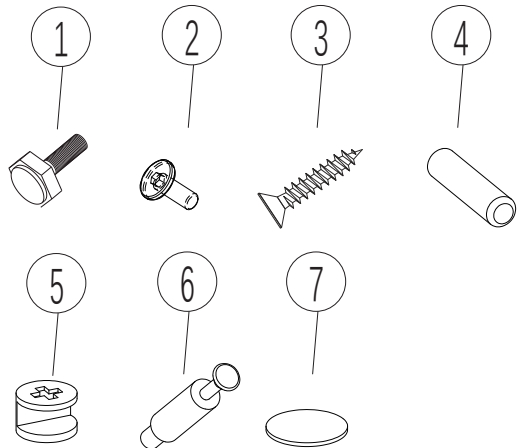


PARTS AND TOOLS LIST

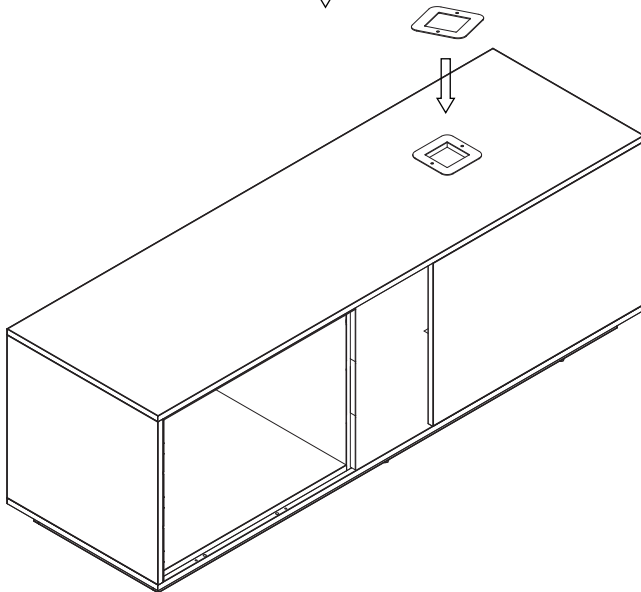
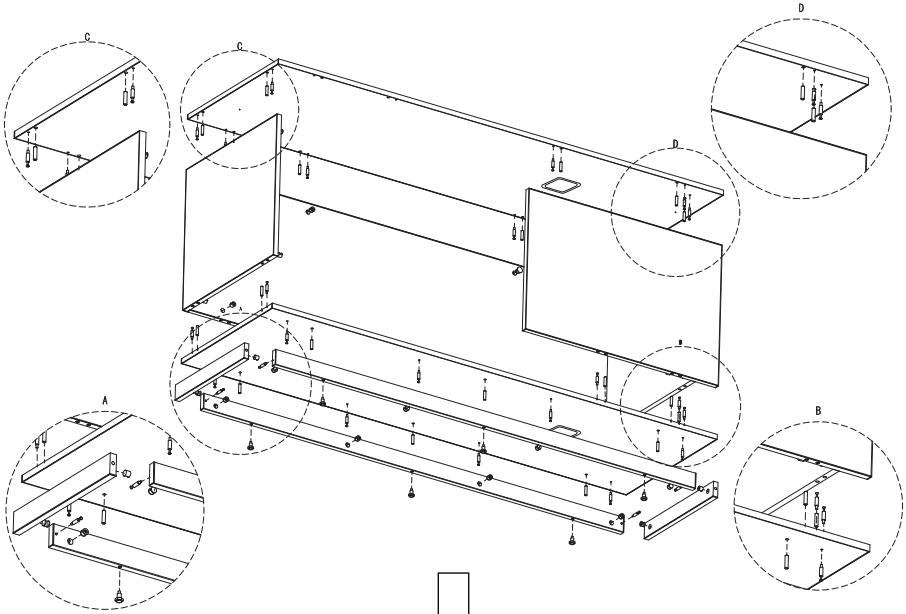
NO	Name	Qty
1	Leg	2
2	Feet	2
3	Beam	1
4	Bracket	2
5	M6*10 Screw	4
6	M8*16 Screw	8
7	M6*16 Screw	4
8	M6*12 Screw	12
9	ST3.5*16 Screw	7
10	ST4.8*16 Screw	10
11	4mm Hex Spanner	1
12	5mm Hex Spanner	1
13	Rubber Cushion	10
14	Adaptor	1
15	Handset	1
16	Power Cable	1
17	Cable Clip	5



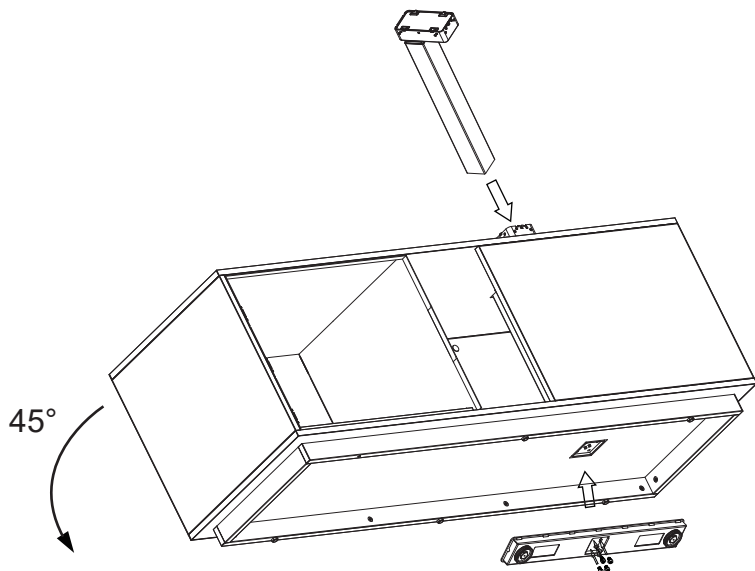
NO	Name	Qty
1	ŚLIZG STANDARD STANDARD FEET	6
2	ŚRUBA 6X12MM SCREW 6X12MM	8
3	WKREŃ 3.5X30MM SCREW 3.5X30MM	2
4	KOLEK RYFLOWANY 6x35MM GROOVED PIN 6x35MM	26
5	PUSZKA MIMOŚRODU CAN OF CAM	32
6	TRZPIEŃ MIMOŚRODU ECCENTRIC PIN	32
7	ZASŁEPKA Ø20 PLUG Ø20	6



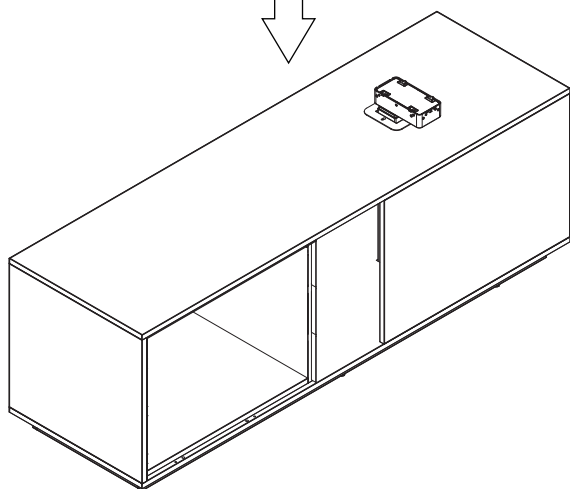
STEP 1



STEP 2

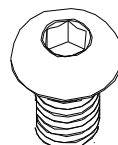


45°

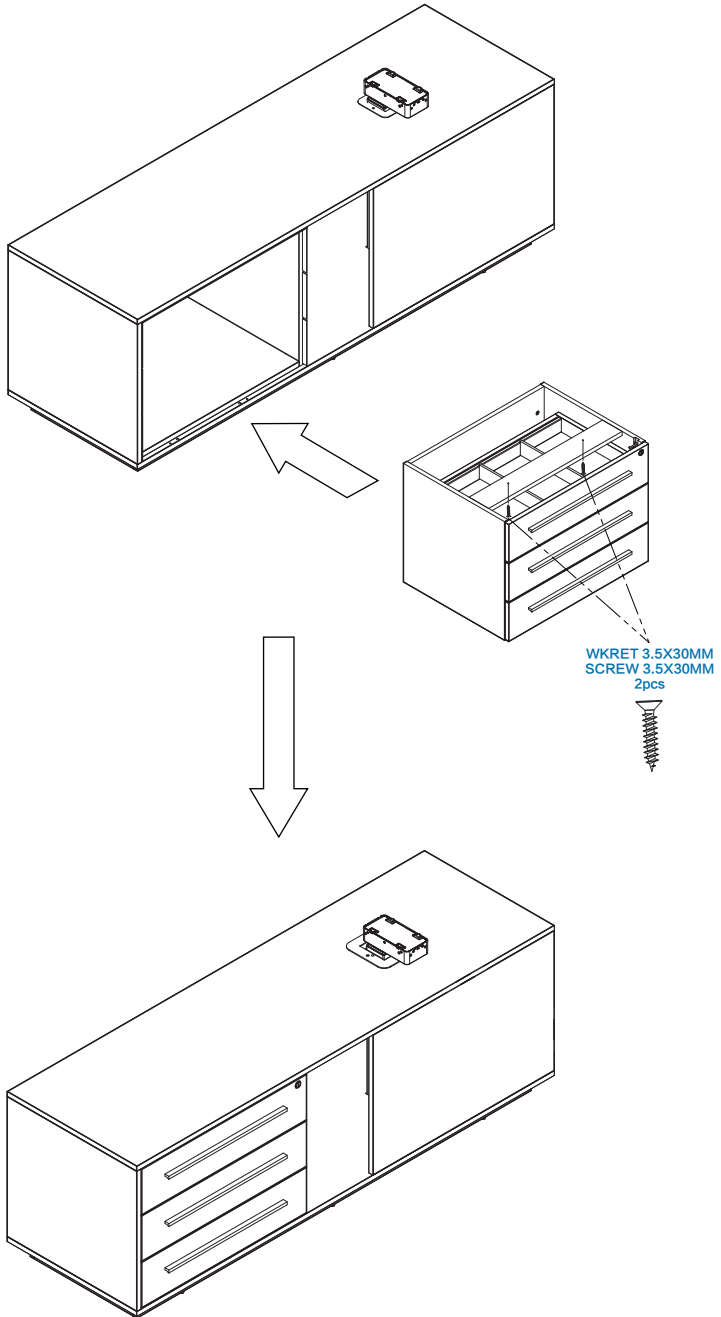


5MM HEX SPANNER

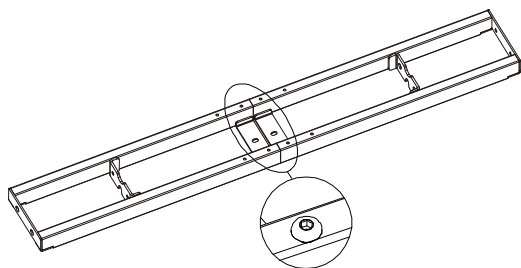
M8*16 SCREW 4PCS



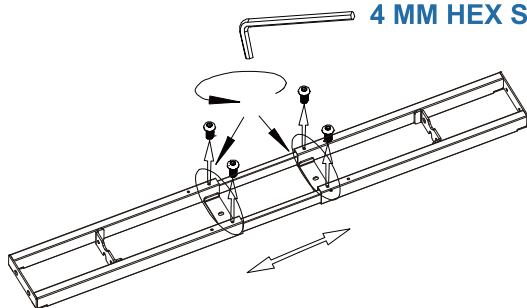
STEP 3



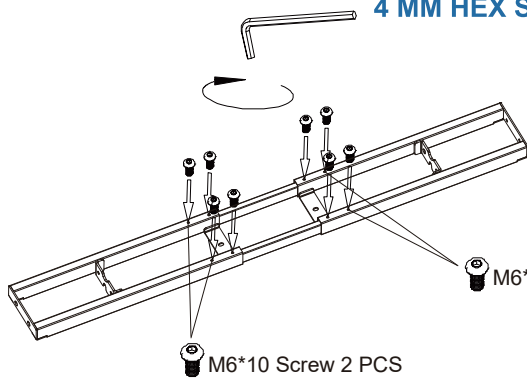
STEP 4



4 MM HEX SPANNER

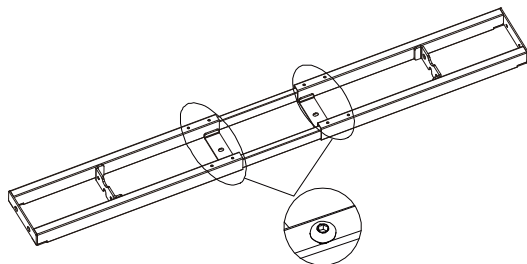


4 MM HEX SPANNER

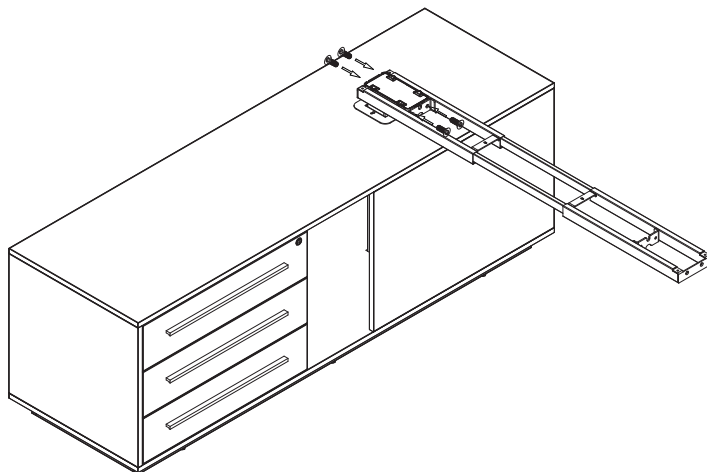
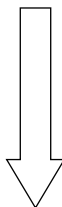
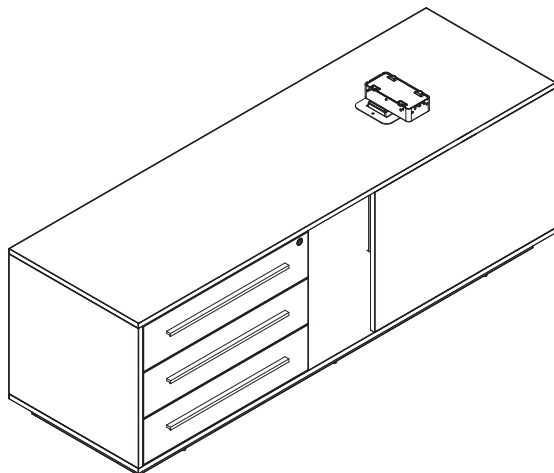


M6*10 Screw 2 PCS

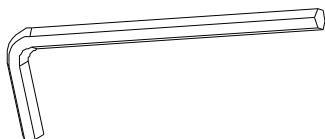
M6*10 Screw 2 PCS



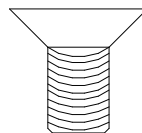
STEP 5



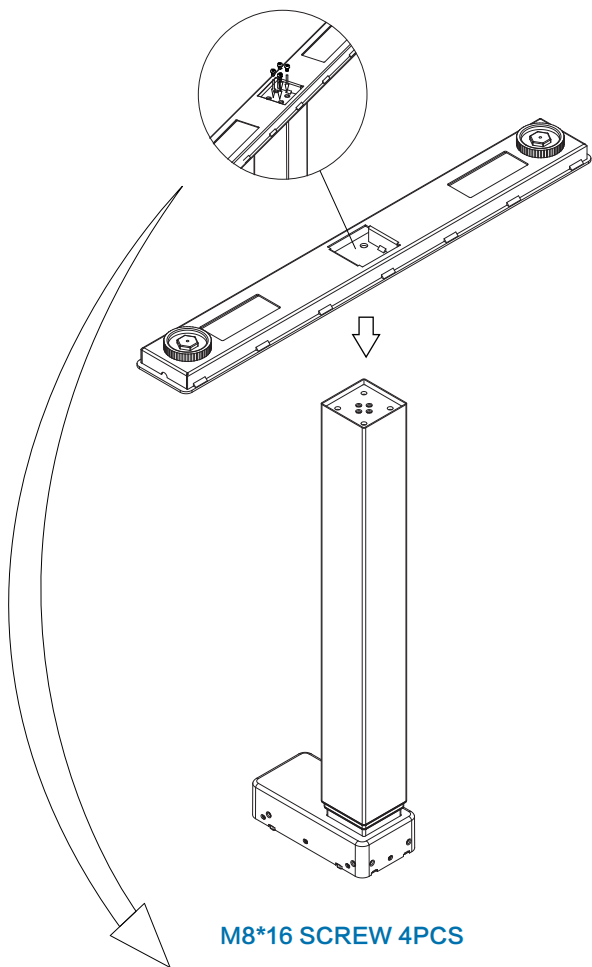
4MM HEX SPANNER



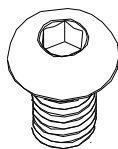
M6*12 SCREW 4PCS



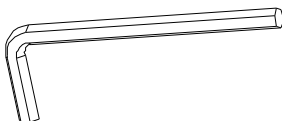
STEP 6



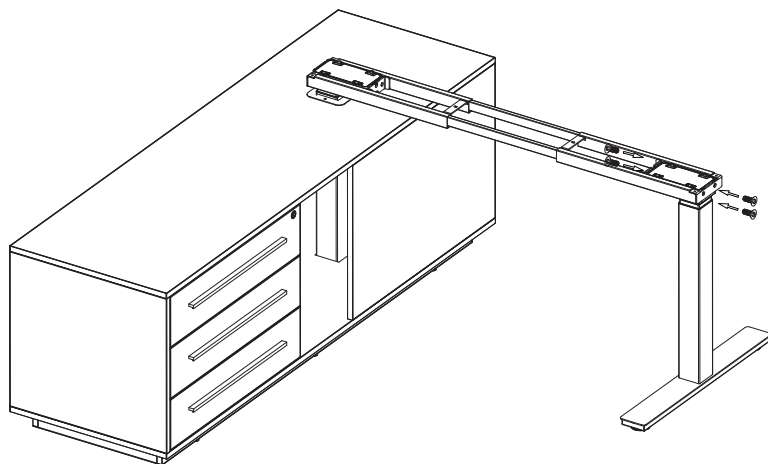
M8*16 SCREW 4PCS



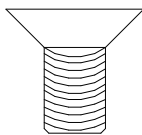
5MM HEX SPANNER



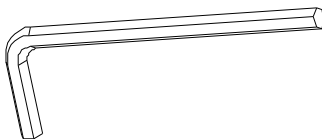
STEP 7



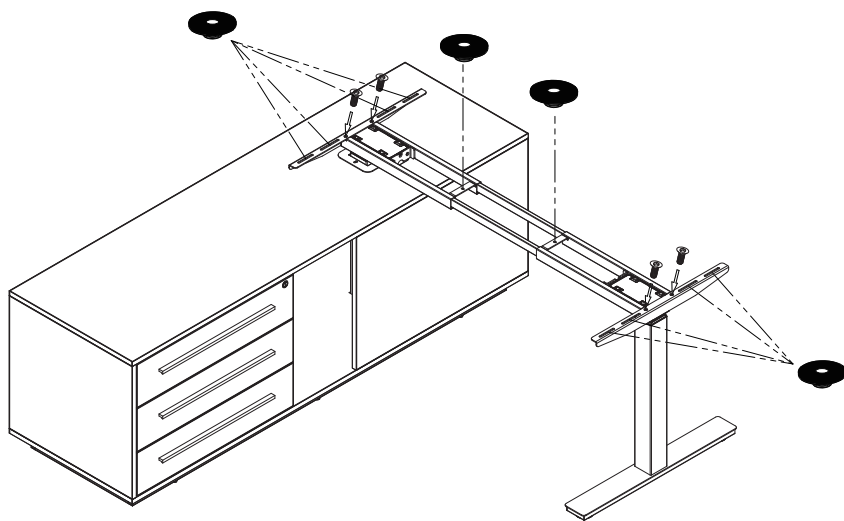
M6*12 SCREW 4PCS



4MM HEX SPANNER



STEP 8



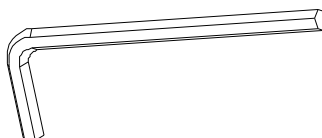
RUBBER CUSHION 10PCS

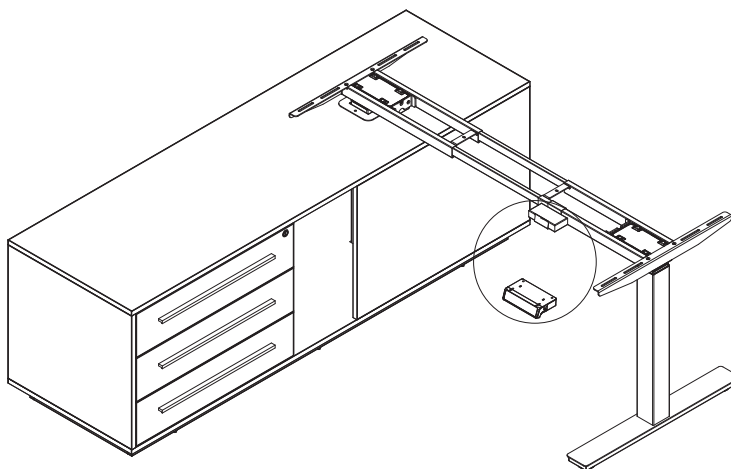
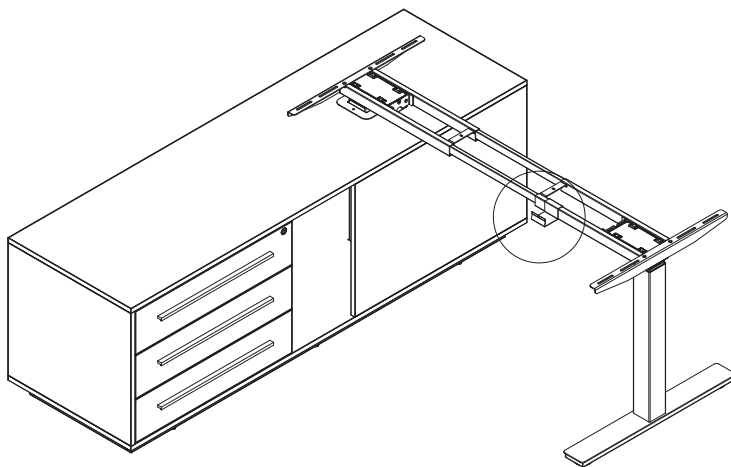


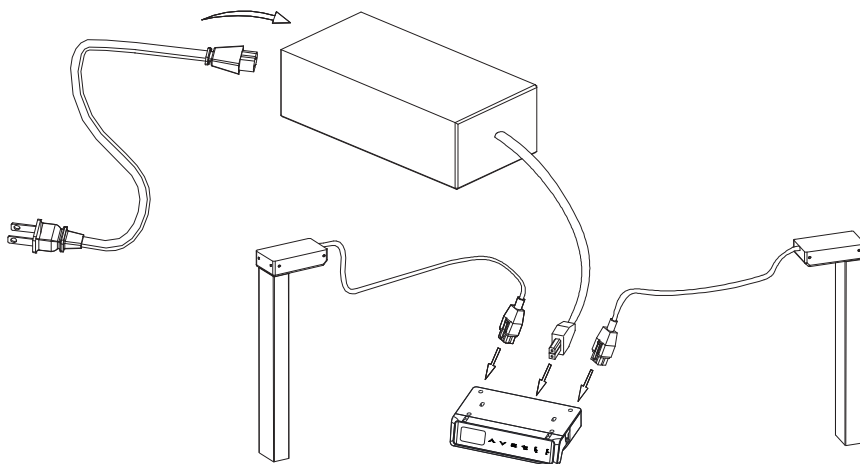
M6*12 SCREW 4PCS



4MM HEX SPANNER



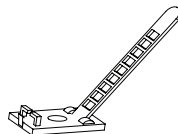


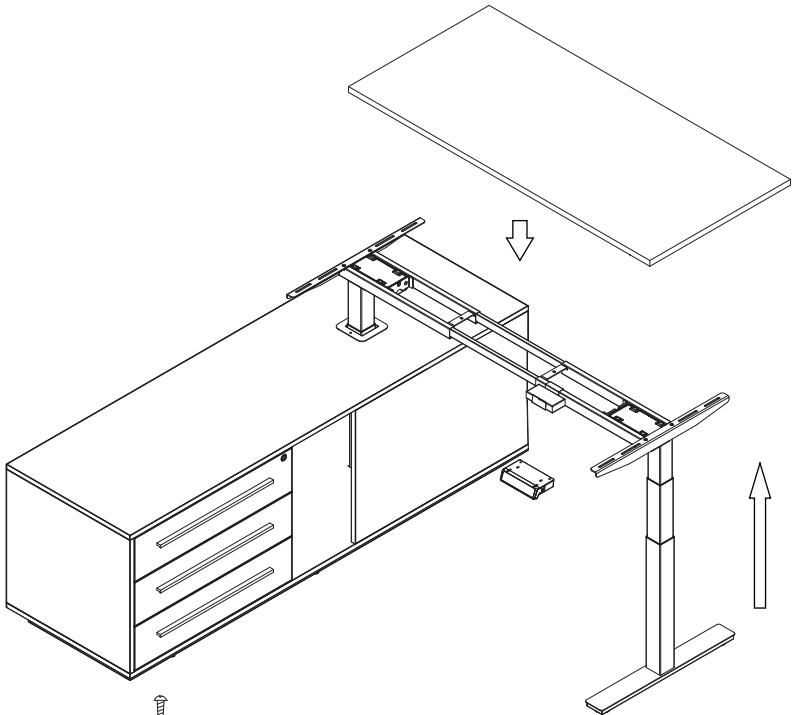


ST3.5*16 SCREW 5PCS

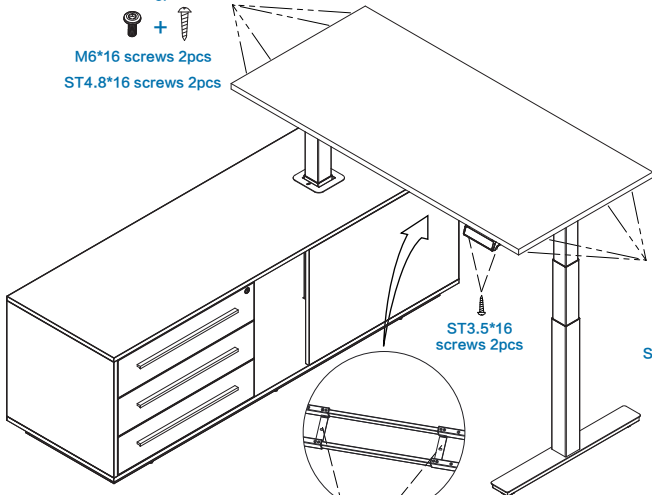


CABLE CLIP



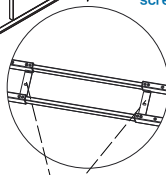


ST4.8*16 screws 4pcs
or
M6*16 screws 2pcs
+
ST4.8*16 screws 2pcs



ST3.5*16
screws 2pcs

ST4.8*16 screws 4pcs
or
M6*16 screws 2pcs
+
ST4.8*16 screws 2pcs



ST4.8*16
screws 2pcs

MAX.
120
KG