

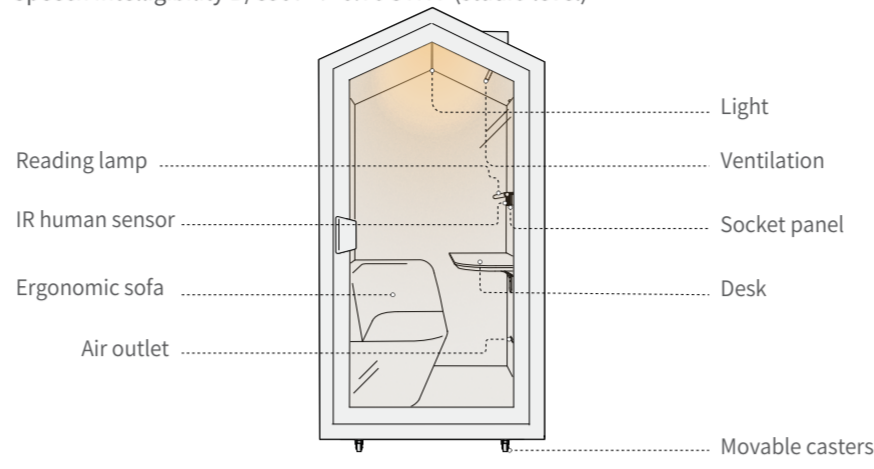
# COTTAGE POD



USER MANUAL

## PRODUCT INTRODUCTION

- Net weight: 198kg
- Gross weight: 246kg
- Ventilation: 30-60m³/h
- Rw: NIC=25dB
- Speech Intelligibility D/C50: >0.76 STI A+(studio level)



## READ BEFORE INSTALLATION

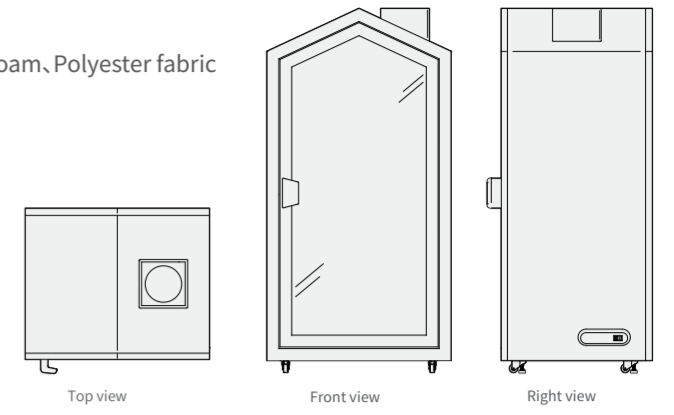
- Dear customer, Thanks for choosing our product, please mind these tips below during the installation:
1. Two persons are recommended for a successful installation;
  2. Please use cushioning material for stacking parts after unboxing in case of damaging the floor or the product;
  3. Please do not scratch any parts with sharp tools;
  4. Please make sure that all the listed tools are prepared;
  5. Please check that the space for installation is sufficient;
  6. Please follow the manual step by step for the correct installation.



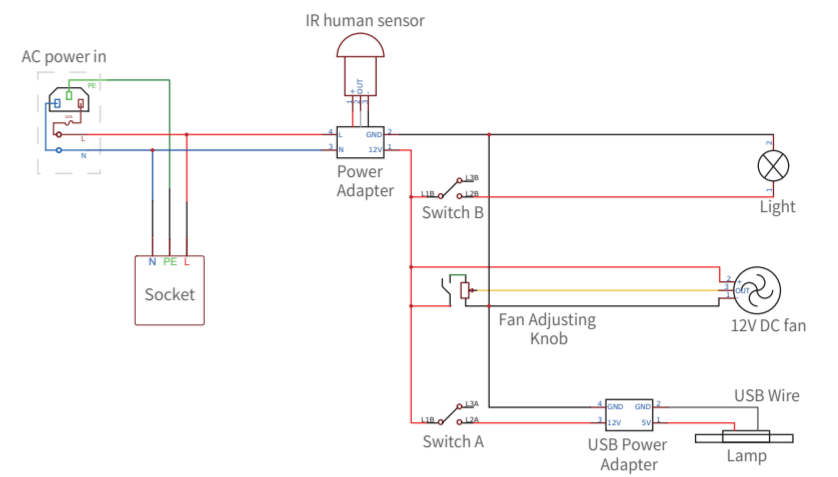
Legal actions will be taken against any content tampering, imitation without authorization.

## PRODUCT INTRODUCTION

- External size: W1100\*D900\*H2100mm
- Internal size: W994\*D793\*H1960mm
- Projected area: 0.99m²
- Main material: Carbon acoustic plate, PET acoustic plate, Polyester acoustic fiber, Aluminum, Stainless steel, ABS plastic
- Furniture material: MLB, Polyurethane foam, Polyester fabric



## CIRCUIT DIAGRAM



- Power Input: 100-220V-50/60Hz
- Power Output: 100-220V-50/60Hz, 5V 2.1A
- Maximum Power: 1000W
- Ambient Light: 3.5W, 170LM, 4000K
- Reading Lamp: 5W, 160LM, 2900K-6000K

## PART LIST

- Main part
- Interior
- Furniture
- Accessory
- Tool

Code	Description	Qty.	Preview
A-01	Bottom plate	1	
A-02	Left side plate	1	
A-03	Right side plate	1	
A-04	Top plate	1	
A-05	Front frame, door	1	
A-06	Rear plate	1	

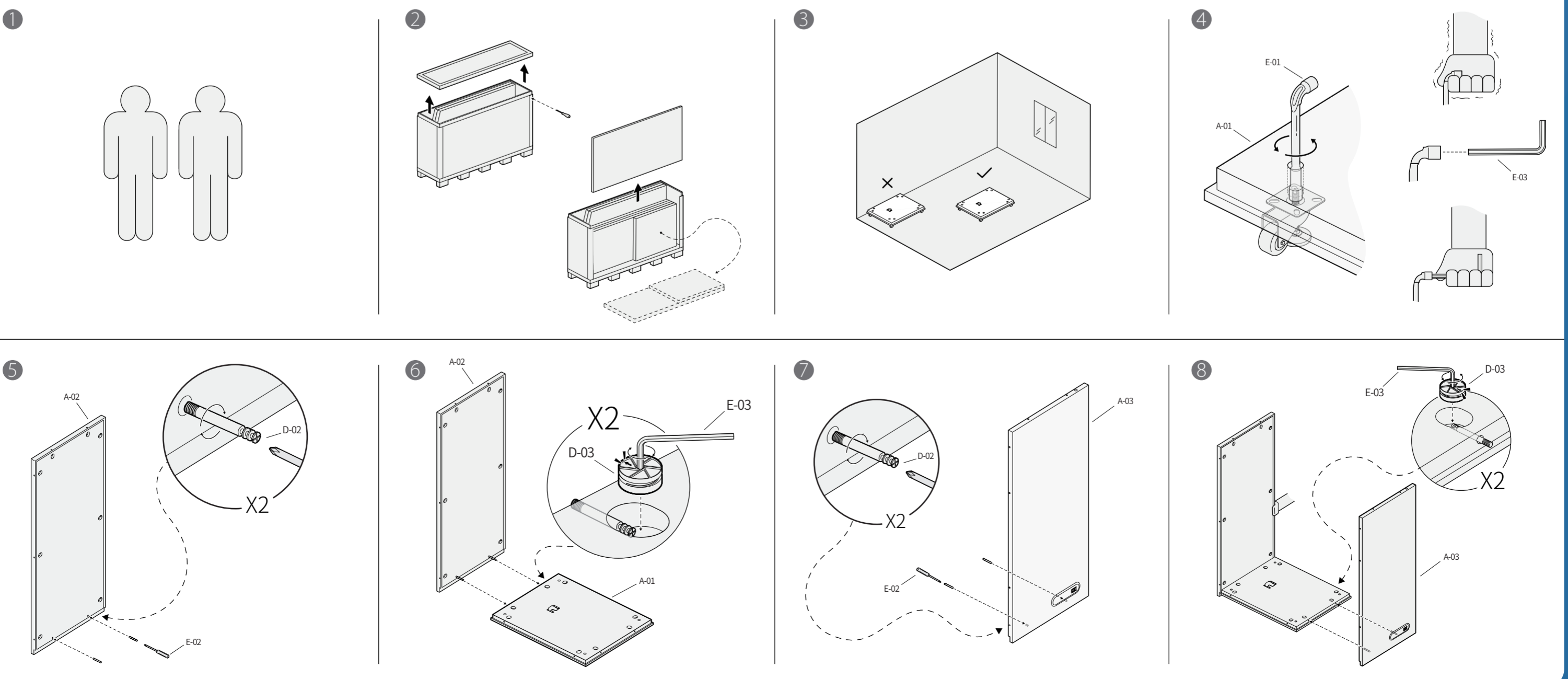
Code	Description	Qty.	Preview
B-01	Left interior	1	
B-02	Right interior (top)	1	
B-03	Right interior (down)	1	
B-04	Top interior (left)	1	
B-05	Top interior (right)	1	
B-06	Carpet	1	
B-07	Right Wall (Mid)	1	

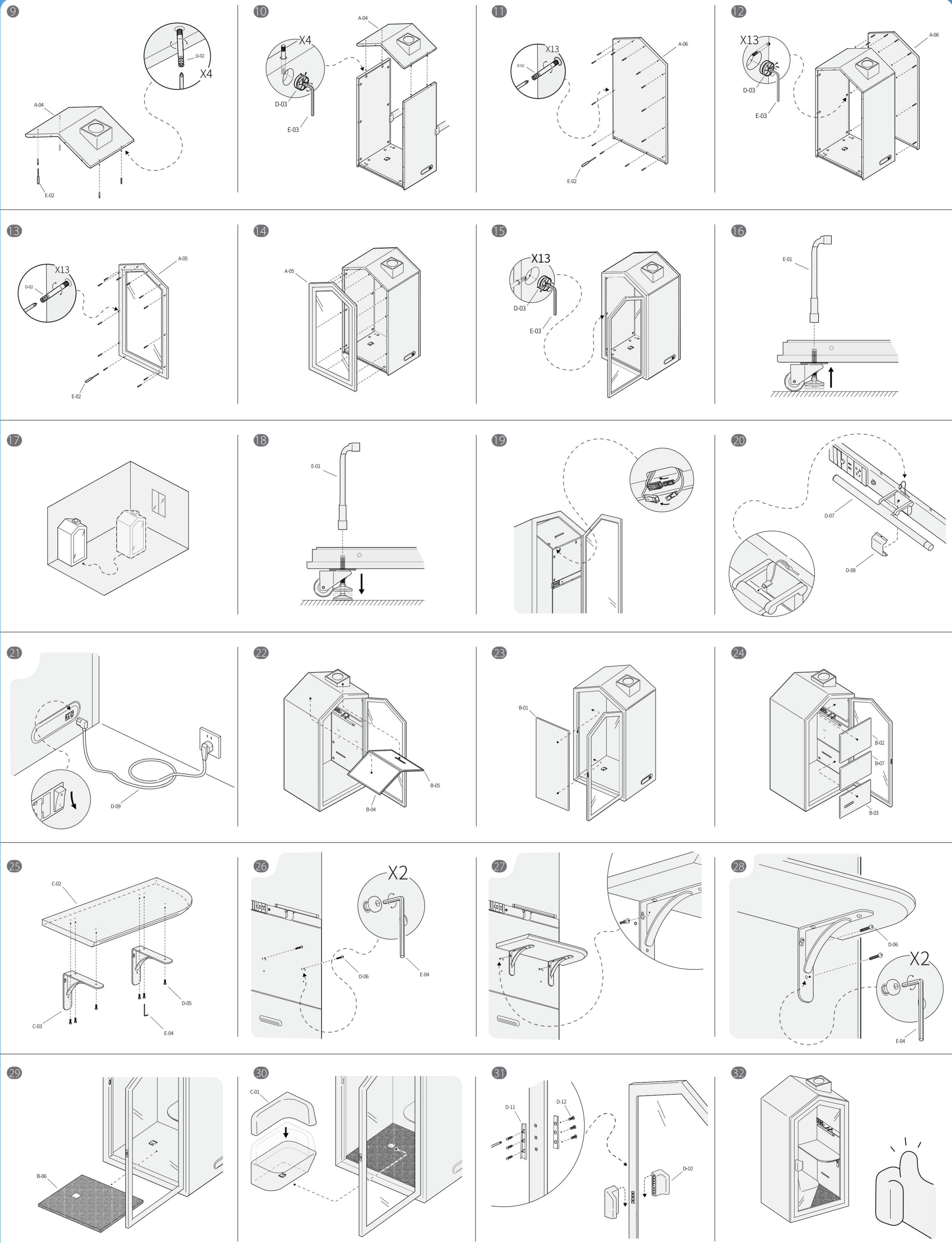
Code	Description	Qty.	Preview
C-01	Sofa	1	
C-02	Table	1	
C-03	brace	2	

Code	Description	Qty.	Preview
D-02	Bolt	34	
D-03	Eccentric wheel	34	
D-05	Bolt	6	
D-06	Bolt	6	
D-07	Lamp	1	
D-08	Lamp cover	1	
D-09	Power cable	1	
D-10	Door handles	2	
D-11	Latch	2	
D-12	Screw	6	

Code	Description	Qty.	Preview
E-01	Perforation socket wrench	1	
E-02	Cross screwdriver	1	
E-03	M6 hex socket wrench	1	
E-04	M4 hex socket wrench	1	

## INSTALLATION STEPS





**CAUTION**

**User Restrictions**

- Do not use any electronics exceeding 1000W in case of burnt wire;
- Do not use the product if the ventilation channels are blocked, keep the ventilation channels free of lint, hair, and others alike;
- Protect all electric hardware from damage that may cause an electrical leakage;
- Do not self-tune the original wiring in the case of an electrical leakage;
- Do not scratch the interior or glass with any sharp tools;
- Do not smoke or generate fire in the pod;
- If there is no need to move, please adjust the caster to the non-moving state;
- Disconnect the power cord from the power outlet before starting any cleaning, maintenance, or disassembly procedures;
- Do not use the product if the ventilation is not functioning;
- Do not climb on top of the product or placing any load on the roof of the product;
- Do not use this product in an environment with oxygen concentration lower than 23.5%;
- Do not slam the door;
- Do not use this product outdoors.

**Maintenance**

- Please contact authorised personnel for repairing, don't operate without official instruction;
- Do not put anything heavier than 10kg on the counter;
- Please cut off the power supply quickly if any malfunctioning occur;
- Keep the air outlet unblocked;
- Keep the interior sanitized, if there is any soiling please clean up in time.

**Problems and Solutions**

- Situation : no power from socket panel, the fan or lamp doesn't work.
- Make sure the power cord is plugged in properly;
- Check if the fuse is burnt out;
- Check the wire terminal is firmly connected to wire with correct label.