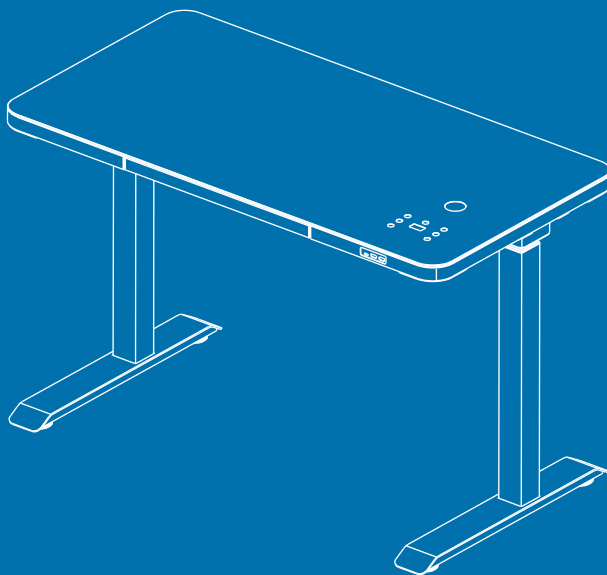
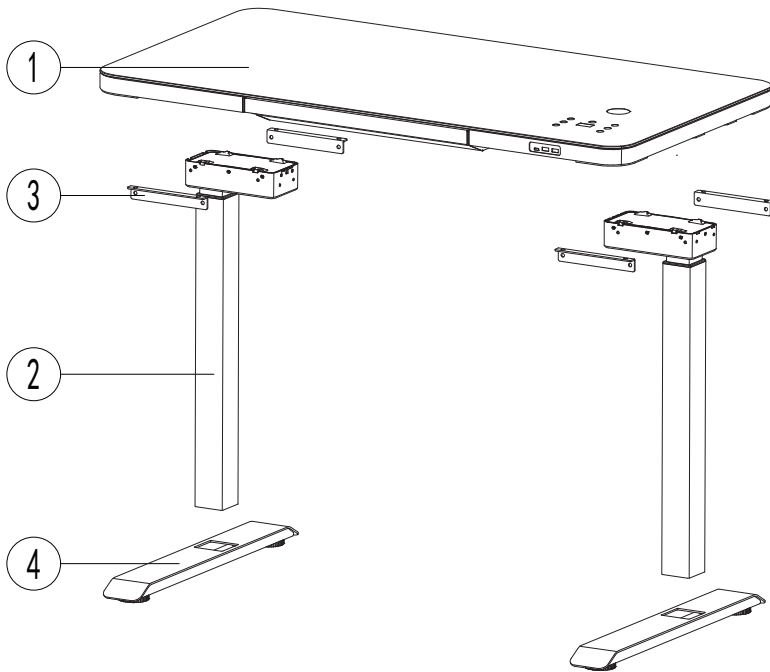
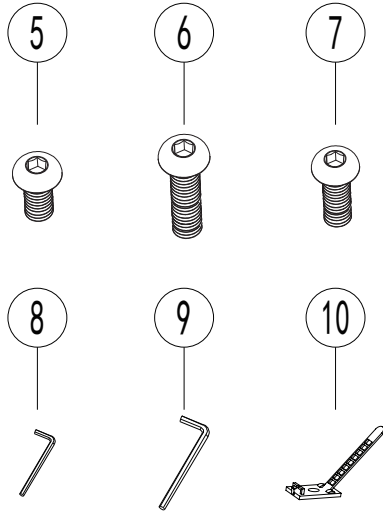


USER'S MANUAL
Manuel d'utilisation
Gebruikershandleiding
Benutzerhandbuch
Manuale dell'utente
Manual de usuario
Руководство пользователя
Użytkownik Manual

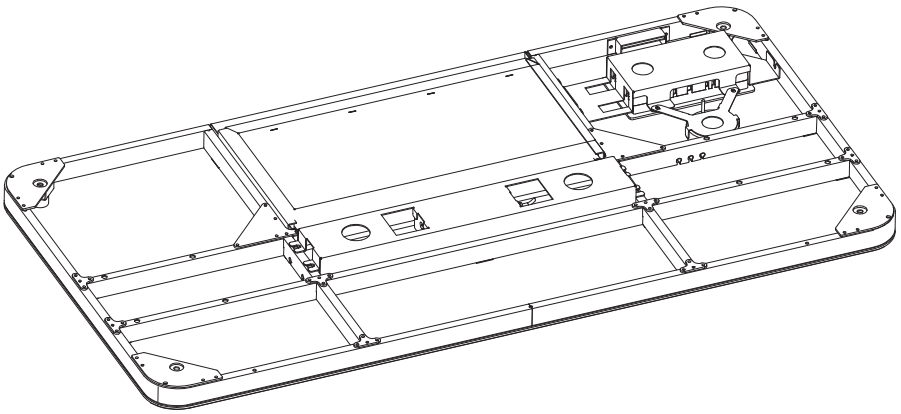


PARTS AND TOOLS LIST

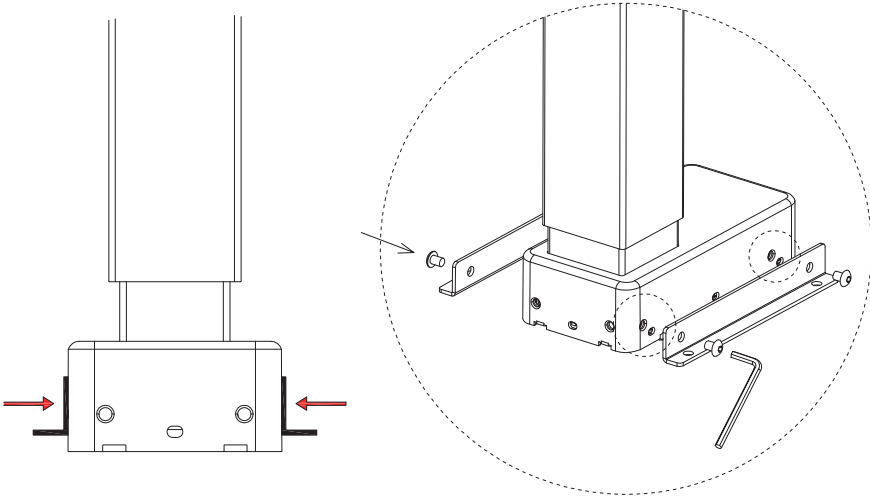
NO	Name	Qty
1	Worksurface	1
2	Legs	2
3	Brackets	4
4	Feet	2
5	M6*8 Screw	9
6	M6*16 Screw	9
7	M5*12 Screw	9
8	3mm Hex Spanner	1
9	4mm Hex Spanner	1
10	Cable Clip	6



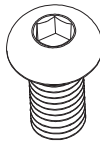
STEP 1



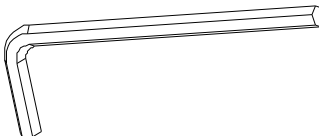
STEP 2



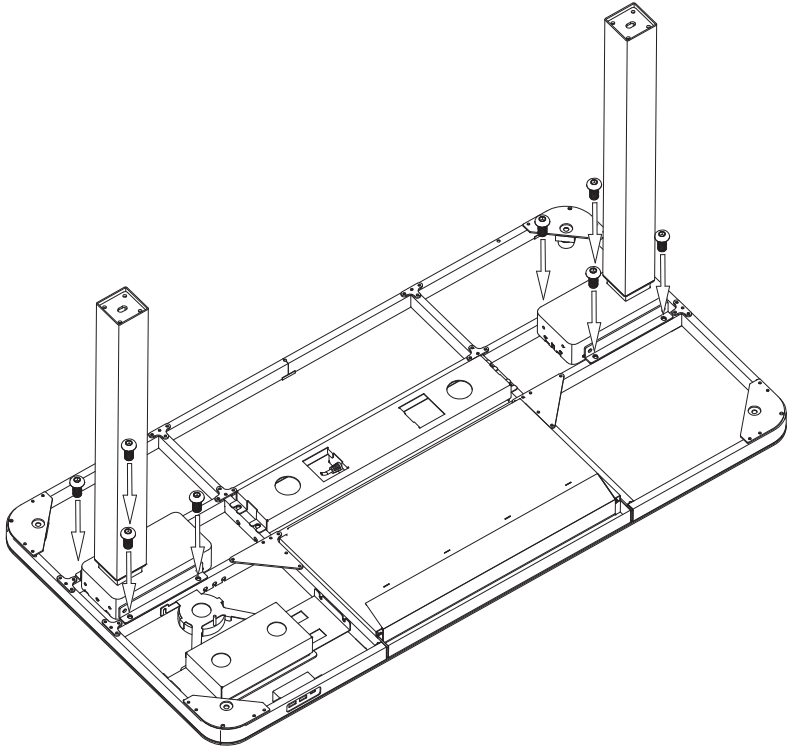
M6*8 SCREW 8PCS



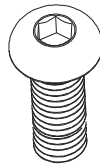
4MM HEX SPANNER



STEP 3



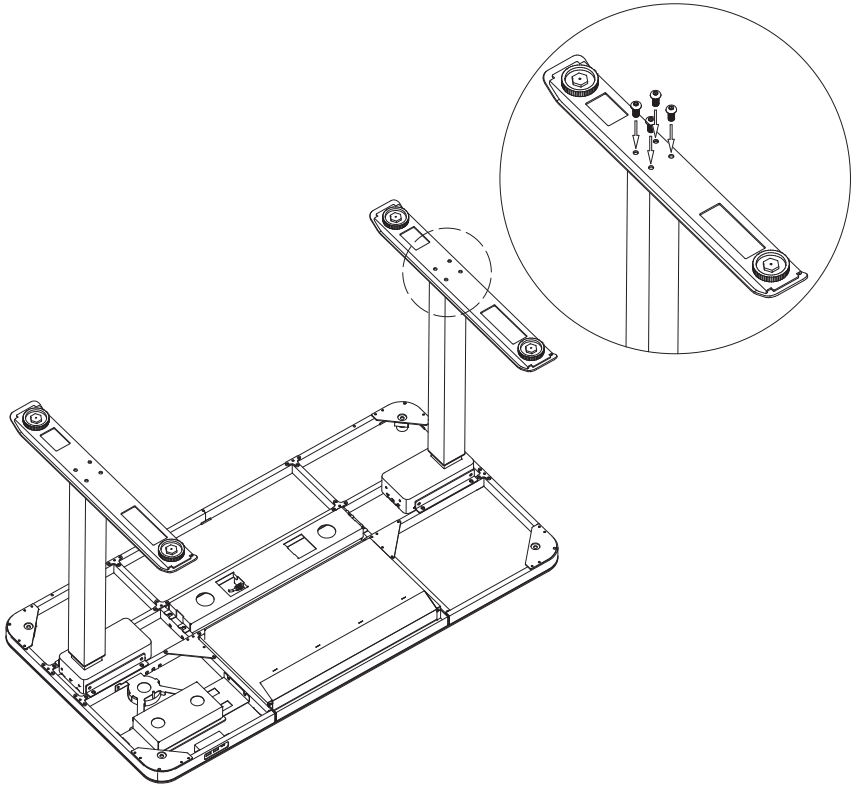
M5*12 SCREW 8PCS



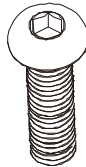
3MM HEX SPANNER



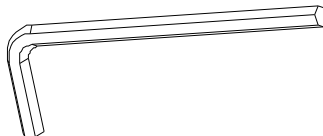
STEP 4

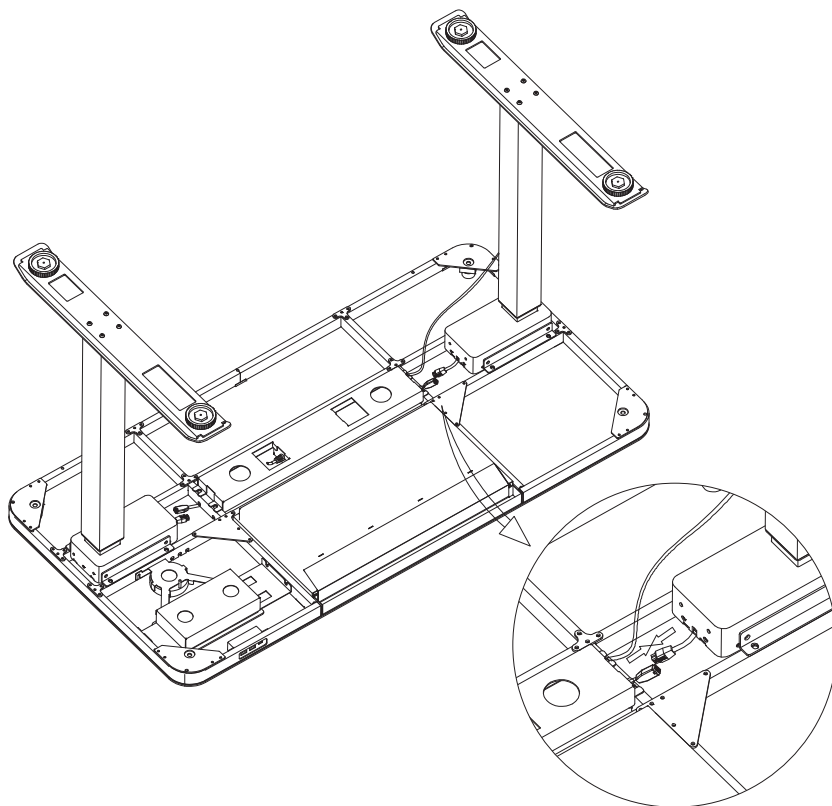


M6*16 SCREW 8PCS



4MM HEX SPANNER





CABLE CLIP

